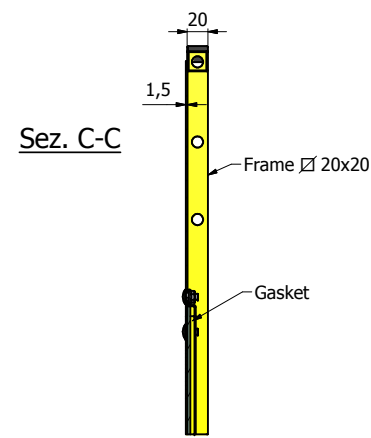
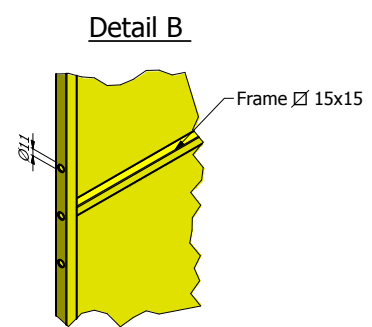
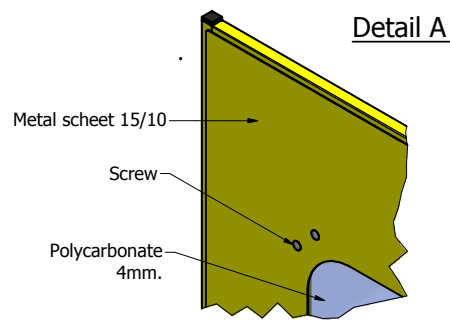
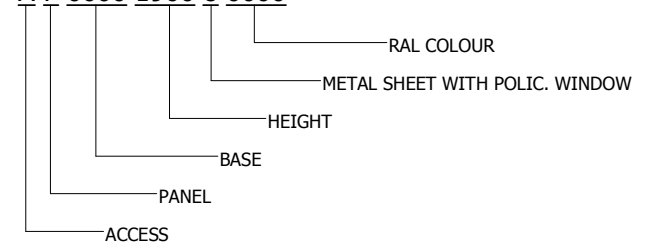


HEIGHT PANEL	1900	1900	1900	1900	1900
BASE	1500	1200	1000	800	700



**ORDER CODE**

**A P 0000 1900 8 0000**



Steel : S 235 JR	Standard colours : 1018/7035/9005	Finish : Power coating on self colour	Description : Metal sheet Panel with polyc. window
			Standard height Cblo' system: h.1900
			Code : AP0000190080000
<small>ACCESS - Safely reserves all rights on this drawing and forbids any reproduction or conveyance to third parties without written authorization.</small>			